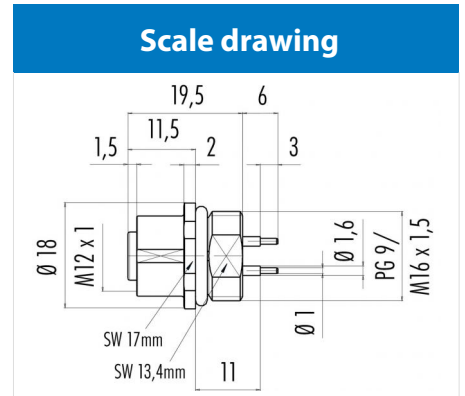
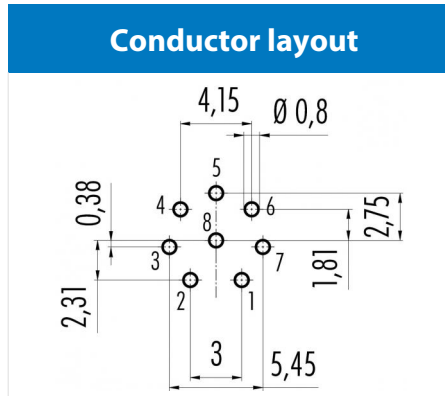


Product description	<b>M12-A female panel mount connector, Contacts: 8, shieldable, dip-solder, IP68, UL, M16x1.5</b>
Area	<b>M12-A series 713</b>
Order number	<b>86 0232 0000 00008</b>



**Contact arrangement (Plug-in side)**

	shielded	not shielded
	1 white	1 white
	2 brown	2 brown
	3 green	3 green
	4 yellow	4 yellow
	5 grey	5 grey
	6 pink	6 pink
	7 blue	7 blue
	8 red	8 shield
	Housing-shield	

You can find the assembly instructions on the next page.

## Technical data

### General values

Connector design	female panel mount connector
Connector locking system	screw
Termination	dip-solder
Upper limit temperature	85 °C
Lower limit temperature	- 40 °C
Customs tariff number	85369010
Packaging Unit	20

### Cable data

Approval 1	UL
------------	----

### Electrical values

Rated current (40 °C)	1.5 A (2 A UL)
Rated voltage	30 V
Rated voltage UL	60
Rated impulse voltage	800 V
Pollution degree	3
Overvoltage category	II
Insulating material group	III
Insulation resistance	> 10 <sup>8</sup> Ω
EMC compliance	shieldable
Degree of protection	IP68
Mechanical operation	> 100 Mating cycles

### Material

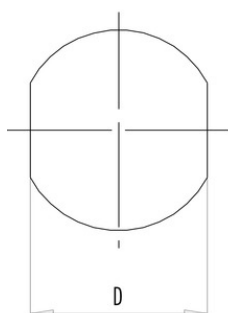
Contact material	CuSn (bronze)
Contact plating	Au (gold)
Contact body material	PA
Housing material	Zinc die-cast nickel-plated
REACH SVHC	CAS 7439-92-1 (Lead)

Product description **M12-A female panel mount connector, Contacts: 8, shieldable, dip-solder, IP68, UL, M16x1.5**

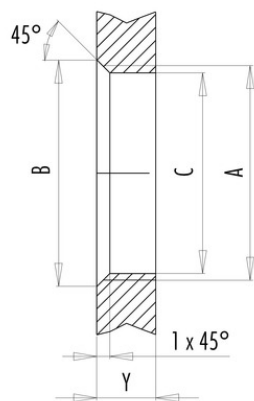
Area **M12-A series 713**  
 Order number **86 0232 0000 00008**

Assembly instructions / Panel cut-out

With flats as anti-rotation device



With bore hole



Installation direction:  
o-ring sits on chamfer.

Thread	Measures			Tightening torque	
	B (mm)	C (mm)	D (mm)	Metal housing/ Positioning sleeve	Plastic housing/ Positioning sleeve
PG 9	16,2	15,3	13,5	1,25 Nm	1,25 Nm
PG 11	20,2	18,7	17,0	2 Nm	–
PG 13,5	21,5	20,5	–	2 Nm	–
M12 x 0,5	–	12,1	–	–	0,4 Nm
M12 x 1	–	12,2	–	1 Nm	–
M14 x 1	15,2	14,2	–	1,25 Nm	–
M16 x 1,5	17,0	16,1	13,5	1,25 Nm	1,25 Nm
M20 x 1,5	21,0	20,1	–	2 Nm	1,25 Nm

Thickness of wall Y (mm)		
Version	min (mm)	max (mm)
Fastened from back side	2	3,5
Front fastened	2	4,5
Positioning possible <sup>1)</sup>	2	3,5
Screw clamp	2	3,5
Thread M12 x 1	2	3,0
Thread M14 x 1 <sup>2)</sup>	<sup>3)</sup> 1,5/ <sup>4)</sup> 2	6,5

Notes

- <sup>1)</sup> Do not attach a chamfer
- <sup>2)</sup> Wall thickness:  
use locknut 01-5385  
up to 1,5 mm,  
>1,5 mm cut thread
- <sup>3)</sup> Nut
- <sup>4)</sup> Thread in wall of housing

Product description	<b>M12-A female panel mount connector, Contacts: 8, shieldable, dip-solder, IP68, UL, M16x1.5</b>
Area	<b>M12-A series 713</b>
Order number	<b>86 0232 0000 00008</b>

## Security notices

The connectors are designed for use in plant, control system and electrical equipment. The end user is responsible for checking whether the connectors are suitable for use in other applications. Connectors with degree of protection IP 67 and IP 68 are not suitable for use under water. When used outdoors, the connectors must be separately protected against corrosion. For further information about IP degrees of protection refer to 'Technical support' in the Download Centre.